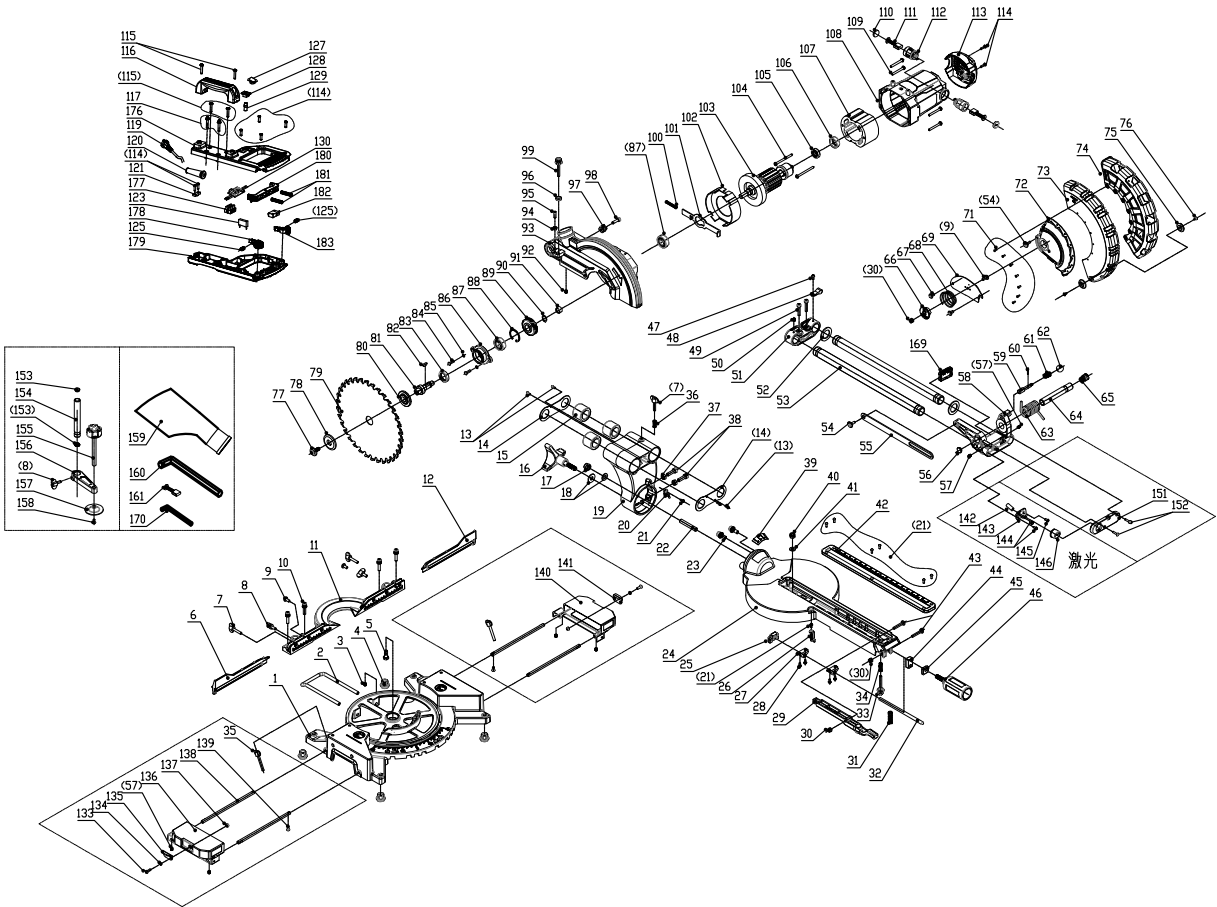


# Exploded drawing of Mitre Saw with laser RD-M506



## Spare Parts List of Mitre Saw with laser RD-MS06

No.	Name of Parts	QTY	No.	Name of Parts	QTY
1	Base	1	87	bearing	2
2	Rear support frame	1	88	Elastic retainer for holes	1
3	Hexagon socket set screw with flat end	1	89	big gear wheel	1
4	Plum rubber foot	4	90	Elastic retaining ring for shaft	1
5	Hexagon head bolt	1	91	Needle roller bearing	1
6	Left active rest	1	92	Hexagon socket set screw with flat end	1
7	Butterfly screws	3	93	Head housing	1
8	Butterfly screws	2	94	nut	1
9	Pan head screw with cross groove	3	95	Hexagon socket set screw with flat end	1
10	Hexagon socket cap screw	4	96	Knurled thin nut	1
11	Shelf	1	97	Collision block	1
12	Right active rest	1	98	Hexagon socket cap screw	1
13	Pan head screw with cross groove	4	99	Lock knob	1
14	Straight bearing end cover	2	100	Shaft lock spring	1
15	Linear bearing	3	101	Shaft lock plate	1
16	Angle lock handwheel	1	102	Wind circle	1
17	Type 2 non-metallic hexagon lock nut	1	103	rotor	1
18	gasket	2	104	Cross groove pan head self tapping screw	2
19	connecting base	1	105	bearing	1
20	Oblique pointer	1	106	bearing housing	1
21	cross recess pan head screw	8	107	stator	1
22	Hexagon socket set screw with flat end	1	108	machine housing	1
23	hexagon socket cap screws	2	109	Pan head screw with cross groove	4
24	disk	1	110	Brush cover	2
25	clutch block	1	111	electric brush	2
26	disk pointer	1	112	brush handle	2
27	Disc locking rod fixing seat	2	113	machine rear cover	1
28	cross recess pan head screw	4	114	Cross groove pan head self tapping screw	8
29	Plastic retaining rod	1	115	Cross groove pan head self tapping screw	4
30	Type 2 non-metallic hexagon lock nut	3	116	holder	1
31	Fixed bar spring	1	117	Cross groove pan head self tapping screw	2
32	Disc locking lever	1	119	cable	1
33	Lock knob	1	120	cable jacket	1
34	Switch trigger spring	1	121	Line pressing board	1
35	Butterfly screws		123	capacitance	1
36	Pull rod locks the spring	1	125	button spring	2
37	nut	2	127	Handle plastic cover	1
38	Hexagon socket cap screw	2	128	Ejector seat	1
39	connecting base label	1	129	Jector	1
40	Type 2 non-metallic hexagon lock nut	1	130	Circuit board	1
41	flat gasket	1	133	Pan head screw with cross groove	2
42	incision	1	134	Spring washers	2
43	Pan head screw with cross groove	2	135	Left wing active piece	1
44	Locking top piece	1	(57)	Hexagon socket set screw with flat end	4
45	Side handle support block	1	136	Left wing flap	1
46	90° side handle	1	137	Type 2 non-metallic hexagon lock nut	2
47	Pan head screw with cross groove	1	138	extension rod	4
48	Line buckle	1	139	Pan head screw with cross groove	2
49	Hexagon socket cap screw	2	(35)	Butterfly screws	2
50	Hexagon socket set screw with flat end	1	140	Right wing	1
51	rod rear cover	1	141	Right wing active piece	1
52	rod gasket	2	142	Laser	1
53	rod	2	143	Laser bench	1
54	Large pan head screw with cross groove	2	144	Pan head screw with cross groove	2
55	Connecting rod	1	145	Cross countersunk head tapping screw	1
56	The connecting shaft cover	1	146	laser transparent cover	1
57	Hexagon socket set screw with flat end	2	151	LED light base	1
58	support	1	152	Countersunk head screw with cross recess	2
59	lock pin	1	153	Fixed rod cover	2
60	spring pin	1	154	Fixed rod	1

61	1028lock pin spring	1	155	handwheel	1
62	Ball nut	1	156	clamp block	1
63	Big torsional spring	1	(8)	Butterfly screw	1
64	The connecting shaft	1	157	Embedded iron	1
65	Clamp wire plug	1	158	Non-standard screws	1
66	Transparent hood clamp	1	159	Bag spring (+ bag)	1
67	Pan head screw with cross groove	2	160	Hexagon wrench	1
68	Large transparent housing spring	1	161	Carbon brush package	1
69	Large hood	1	162	above bubble	1
71	rivet	7	163	bottom bubble	1
72	Transparent cover guard	1	164	label	1
73	Transparent cover	1	165	manual	1
74	Transparent cover coat	1	166	manual bag	1
75	pulley	2	167	machine bag	1
76	Cross groove pan head with pad tapping screw	2	168	color box	1
77	Saw blade fixing screw	1	169	dust-off board	1
78	outer pressing plate	1	170	Hexagon wrench	1
79	blade	1	176	above handle	1
80	inner pressing plate	1	177	Wiring row	1
81	output shaft	1	178	Left Switch self-locking button	1
82	Woodruff key	1	179	bottom handle	1
83	Skeleton oil seal	1	180	Switch trigger	1
84	Countersunk head screw with cross recess	2	181	Switch trigger spring	2
85	Cup mat	2	182	Switch	1
86	front cover	1	183	Right Switch self-locking button	1